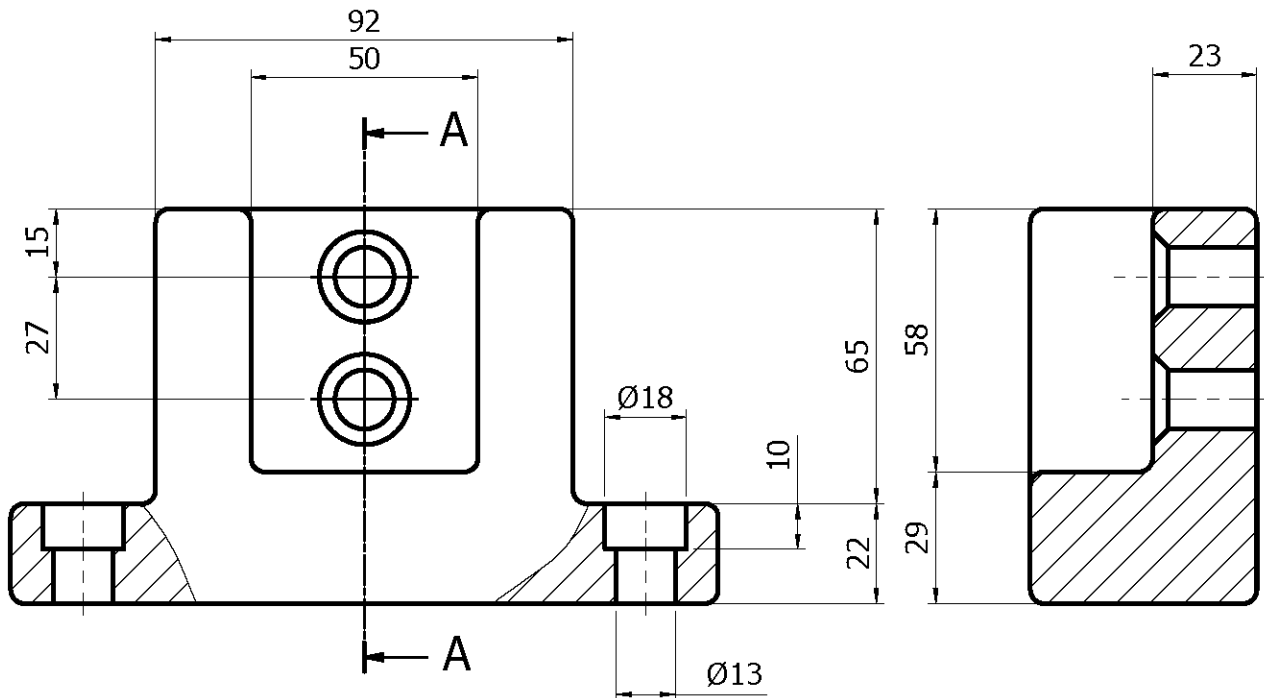
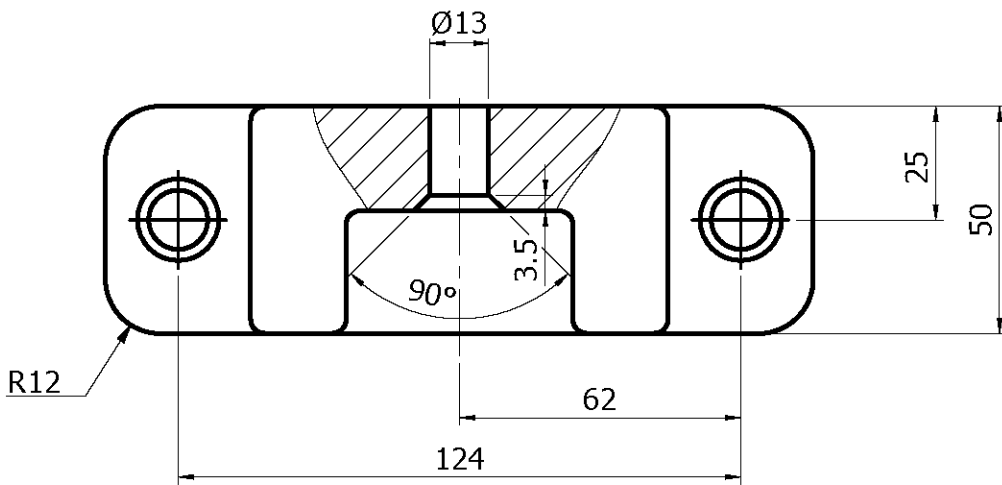
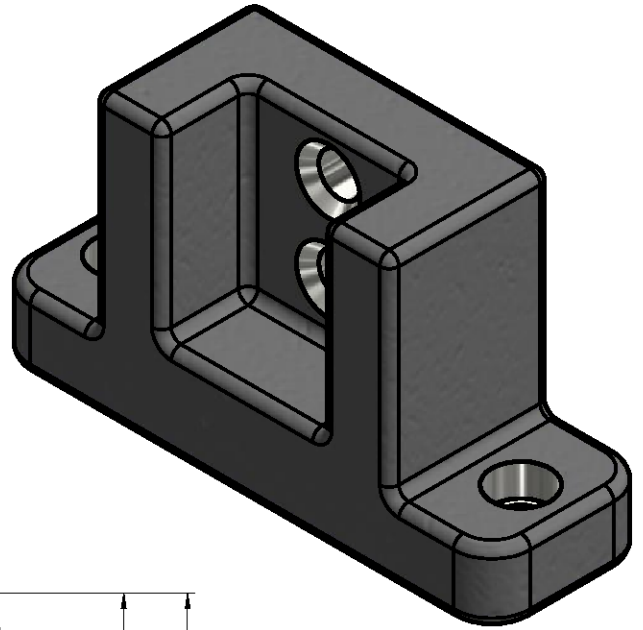


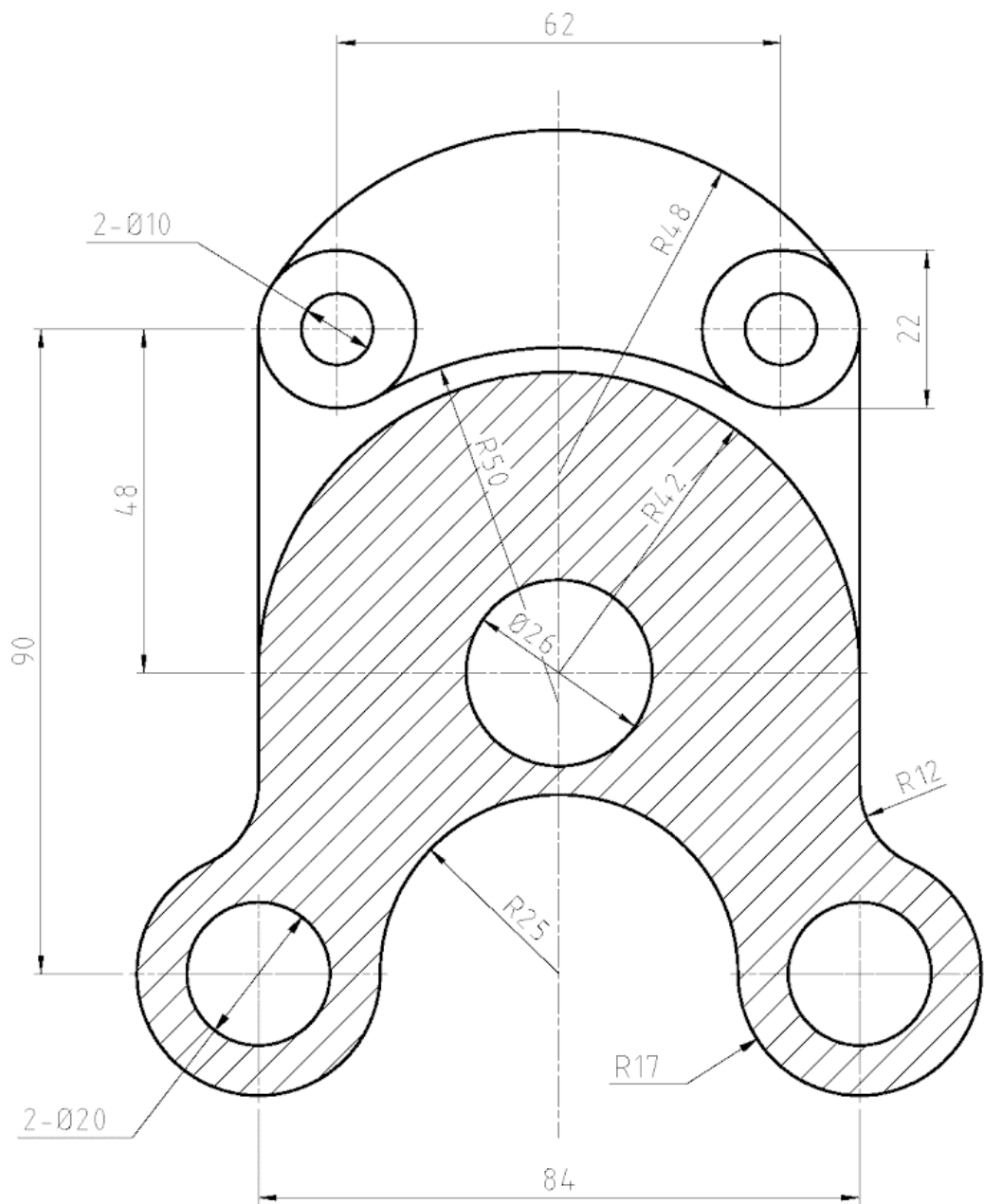
주 서

1. R3



SECTION A-A

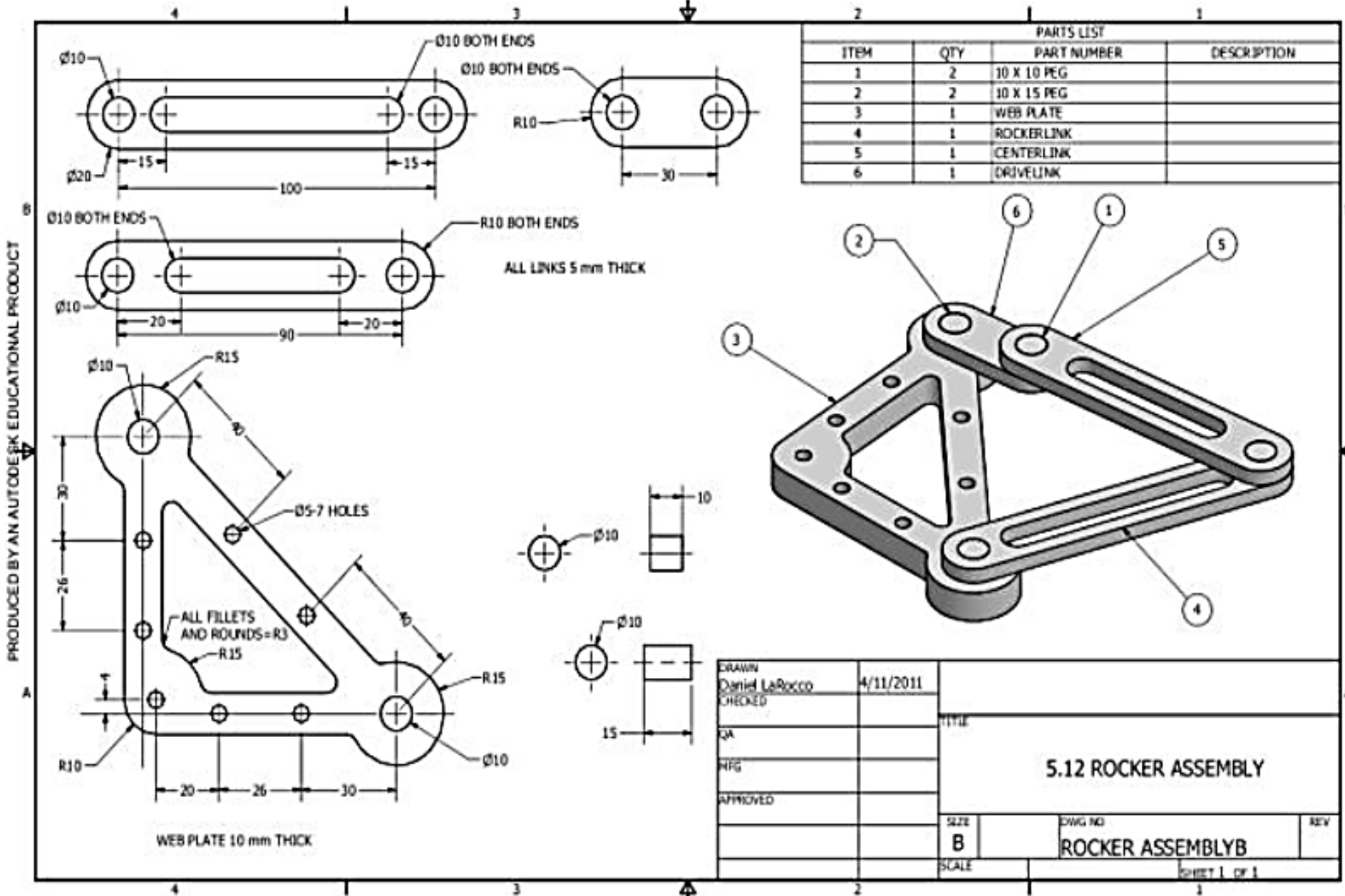
	Title		Date	Approve
	Modeling Practice Drawings 149		Design	
			Check	



This drawing is our property. It can't be reproduced or communicated without our written agreement.

<https://studycadcam.blogspot.com>

DRAWN BY studycadcam		DATE -	DRAWING TITLE 2D CAD PRACTICE DRAWING	
CHECKED BY studycadcam	DATE -	SIZE A4	DRAWING NUMBER -	REV 0
DESIGNED BY studycadcam	DATE -	SCALE 1:1	WEIGHT(kg) -	SHEET 1/1



PRODUCED BY AN AUTODESK EDUCATIONAL PRODUCT

PRODUCED BY AN AUTODESK EDUCATIONAL PRODUCT

DRAWN Daniel LaRocco	4/11/2011	TITLE	
CHECKED		5.12 ROCKER ASSEMBLY	
QA		SIZE	DWG NO
MFG		B	ROCKER ASSEMBLYB
APPROVED		SCALE	REV
			SHEET 1 OF 1